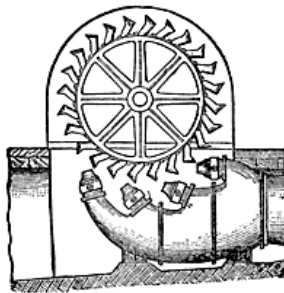


MIDNITE WIND



MidNite Classic



MidNite Clipper

The Classic MPPT controller allows the wind turbine to operate at a much higher voltage than has been possible in the past. The Classic is an extremely efficient DC to DC converter that tracks the wind and transforms the DC voltage down to the battery voltage. Preliminary testing shows 100% more power from some existing turbines.

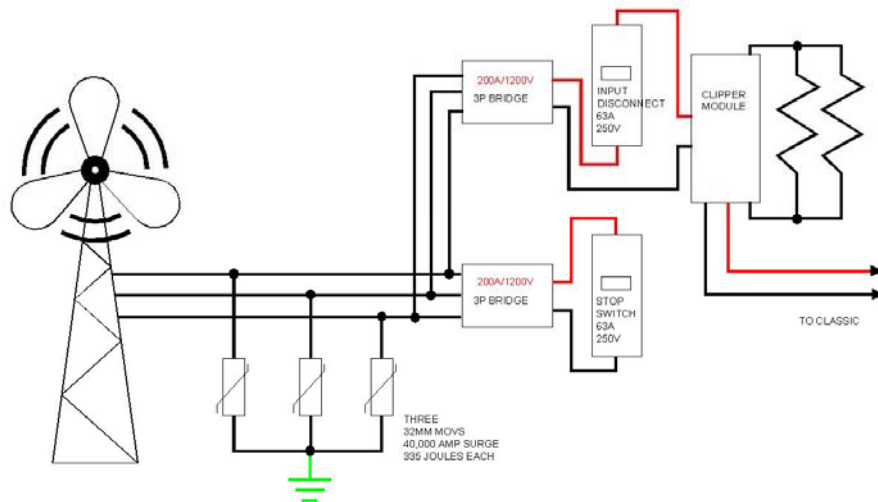
The MidNite Clipper is a very complex and innovative load controller unlike any built before. This load diversion controller connects directly to the AC or DC wind turbine rather than the battery bank. The MidNite Clipper performs these functions:

- Sets the maximum output voltage allowed from the turbine to match the Classic (150, 200 or 250VDC depending on the particular Classic used). Setting is automatic
- Reduces RPM of turbine when batteries are full
- Incorporates two 200 amp/1200 volt 3 phase bridge rectifiers
- Incorporates three 40,000 amp fused MOV's to protect against lightning strikes
- Lightning protection status monitor
- Graphical LCD to display graphs of wind information, output, RPM's etc.
- 250 VDC 63 amp stop switch
- 250 VDC 63 amp Turbine disconnect switch
- 3000 watt fan cooled load bank integral inside the enclosure
- Works equally as well with Hydro systems to produce more power than before

This load diversion controller is unlike any other to date.



MIDNITE CLASSIC CLIPPER WIRING DIAGRAM



Simplified wiring diagram of the MidNite Clipper

Since the Clipper can control the speed of the blades, it opens up a host of new possibilities for future wind turbine designs, like improved low wind performance. Just as boB's last MPPT controller changed the way we do Solar, these controllers will change the way we do wind.

Stay tuned for further details. www.midnitesolar.com